

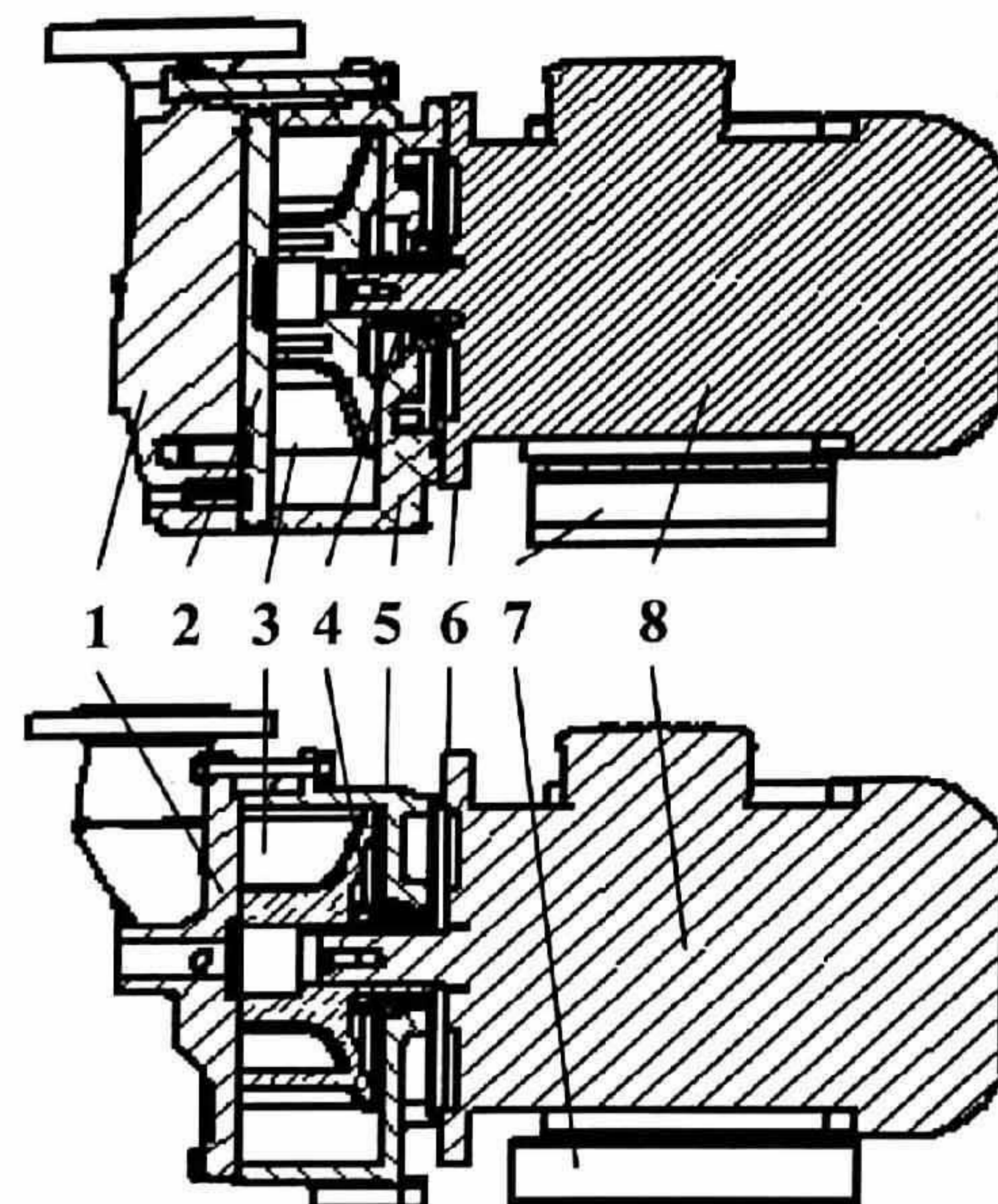
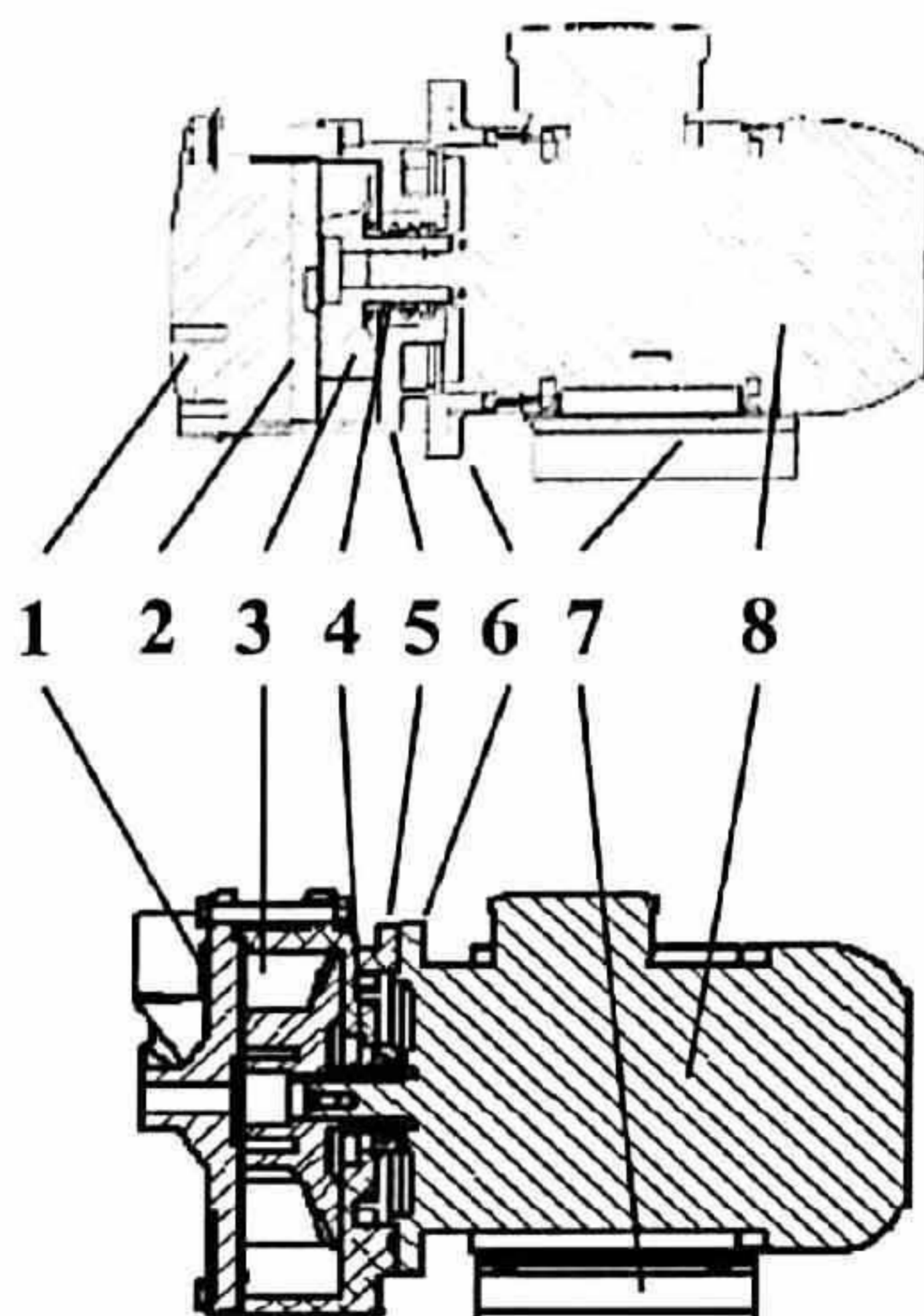
MODEL TYPE	Inlet & Outlet [ mm ]	Electric Motor		Pump Speed (rotation) [ d/dk ] [ rpm ]	Nominal capacity [ m <sup>3</sup> /saat ] [ m <sup>3</sup> /h ]	Maximum capacity	Vacuum pressure at sea level [ mm-Hg ] [ mbar ]	Absolute pressure	Service water [ l/min ]	Water inlet	Weight		Dimensions [ wide x length x height ]	
		Frequency [ Hz ]	Power [ kW ]								Motorlu, komple Complete	Motorlu, komple Complete		
<b>DOUBLE-STAGE PUMPS</b>														
CWK 200/160	DN 40	@ 50	5,5	1450	150	260	-735	33,3	20	½"	120	152	34x71x47	34x111x42
		@ 60	6,6	1750	170									
CWK 230/120	DN 50	@ 50	9	1450	200	300								
		@ 60	10	1750	240									
CWK 230/160		@ 50	11	1450	250	440								
		@ 60	13,2	1750	330									
CWK 230/220	@ 50	15	1450	270	510									
	@ 60	18	1750	380										
CWK 250/160	DN 65	@ 50	15	1450	300	650								
		@ 60	18	1750	550									
CWK 250/200		@ 50	18,5	1450	350	800								
		@ 60	22,2	1750	640									
CWK 250/240	@ 50	22	1450	400	840									
	@ 60	26,4	1750	680										
CWK 275/160	DN 80	@ 50	18,5	1450	410	950								
		@ 60	22,2	1750	710									
CWK 275/220		@ 50	22	1450	600	1050								
		@ 60	26,4	1750	800									
CWK 275/260	@ 50	30	1450	700	1100									
	@ 60	36	1750	850										
CWK 275/280	@ 50	37	1450	800	1200									
	@ 60	44,4	1750	900										
CWK 380/300	DN 100	@ 50	37	980	950	1500								
		@ 60	44,4	1150	1020									
CWK 380/350	@ 50	45	980	1250	1800									
	@ 60	54	1150	1320										
CWK 520/300	DN 150	@ 50	55	735	1500	2300								
		@ 60	66	880	1750									
CWK 520/400		@ 50	75	735	1900	2700								
		@ 60	90	880	2150									
CWK 520/500	@ 50	90	735	2300	3400									
	@ 60	108	880	2600										

Capacity values on the tables are valid for 20°C dry air as Qd and saturated air as Qb at sea level under 760 mm-Hg atmospheric pressure and feeding the pump with 15°C service water. Needed service water amount is at highest vacuum pressure without any separator vessel. Tolerance of the operating data is ± %10.

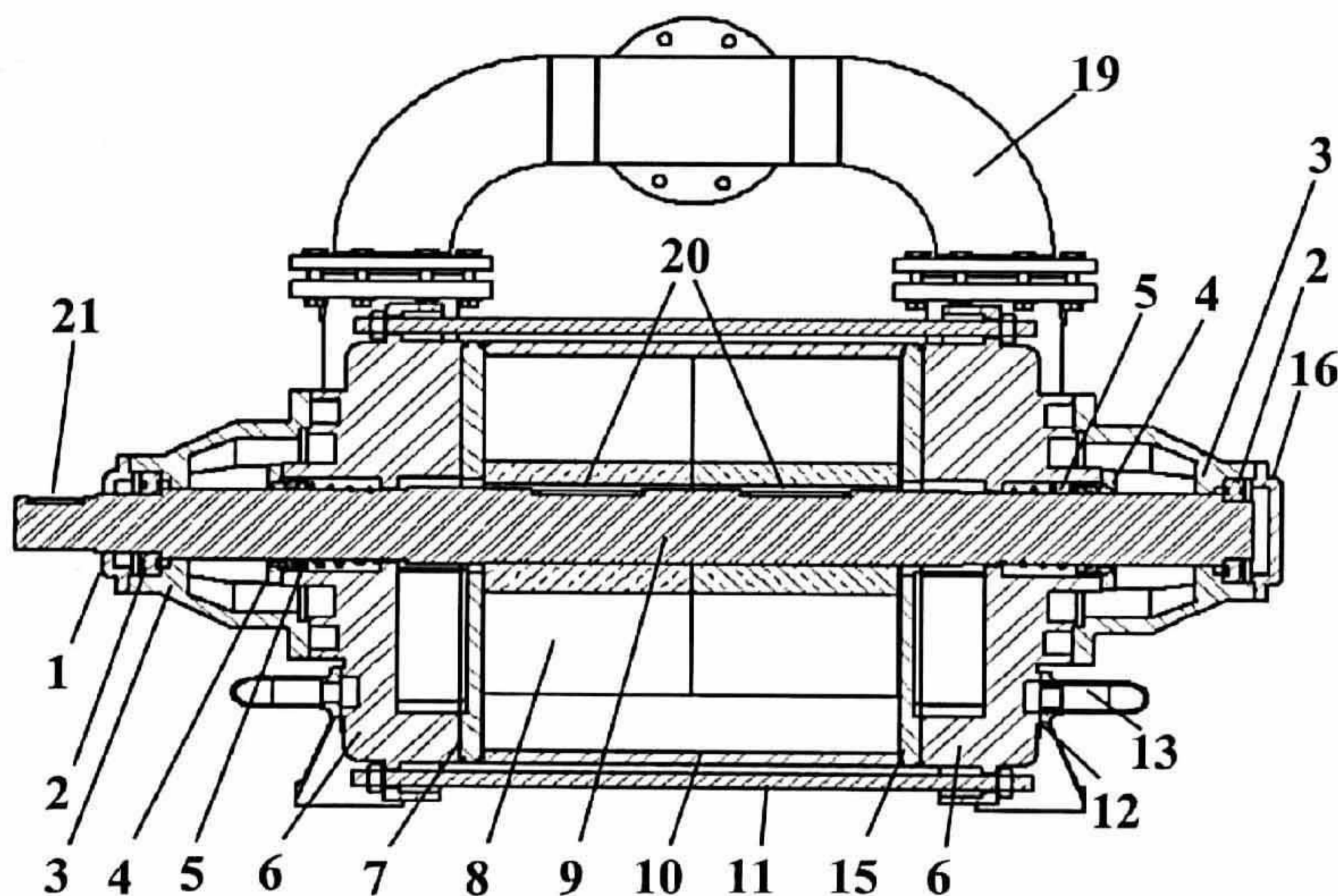
We reserve to make changes the size of technical development

## MONOBLOCK PUMPS

1. Cover
2. Plate
3. Impeller
4. Mechanical Seal
5. Body
6. Motors connection flange
7. Baseplate
8. Electric motor
9. Body gasket
10. Cover gasket
11. Bolts
12. Muffer port
13. Muffer

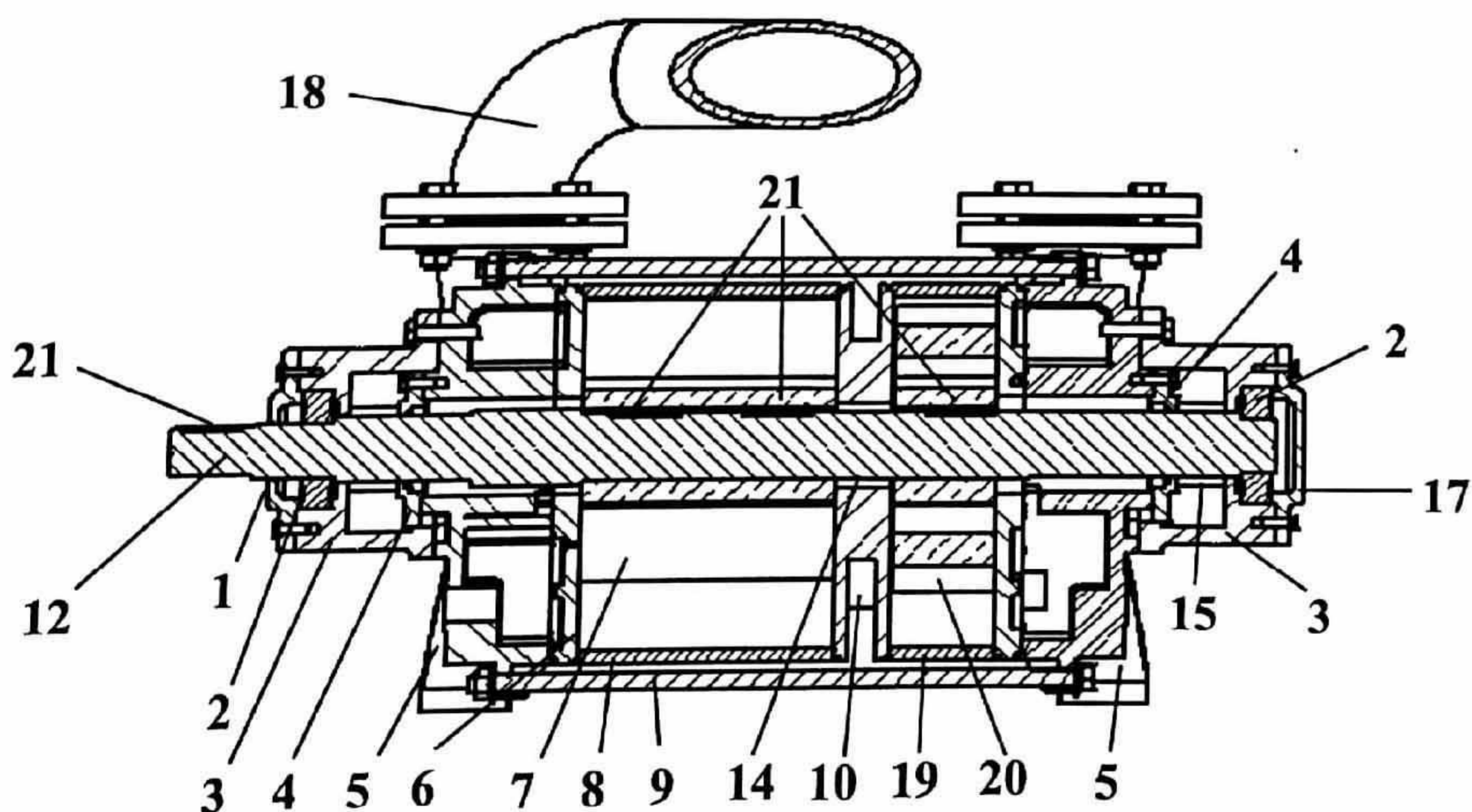


## SINGLE STAGE PUMPS



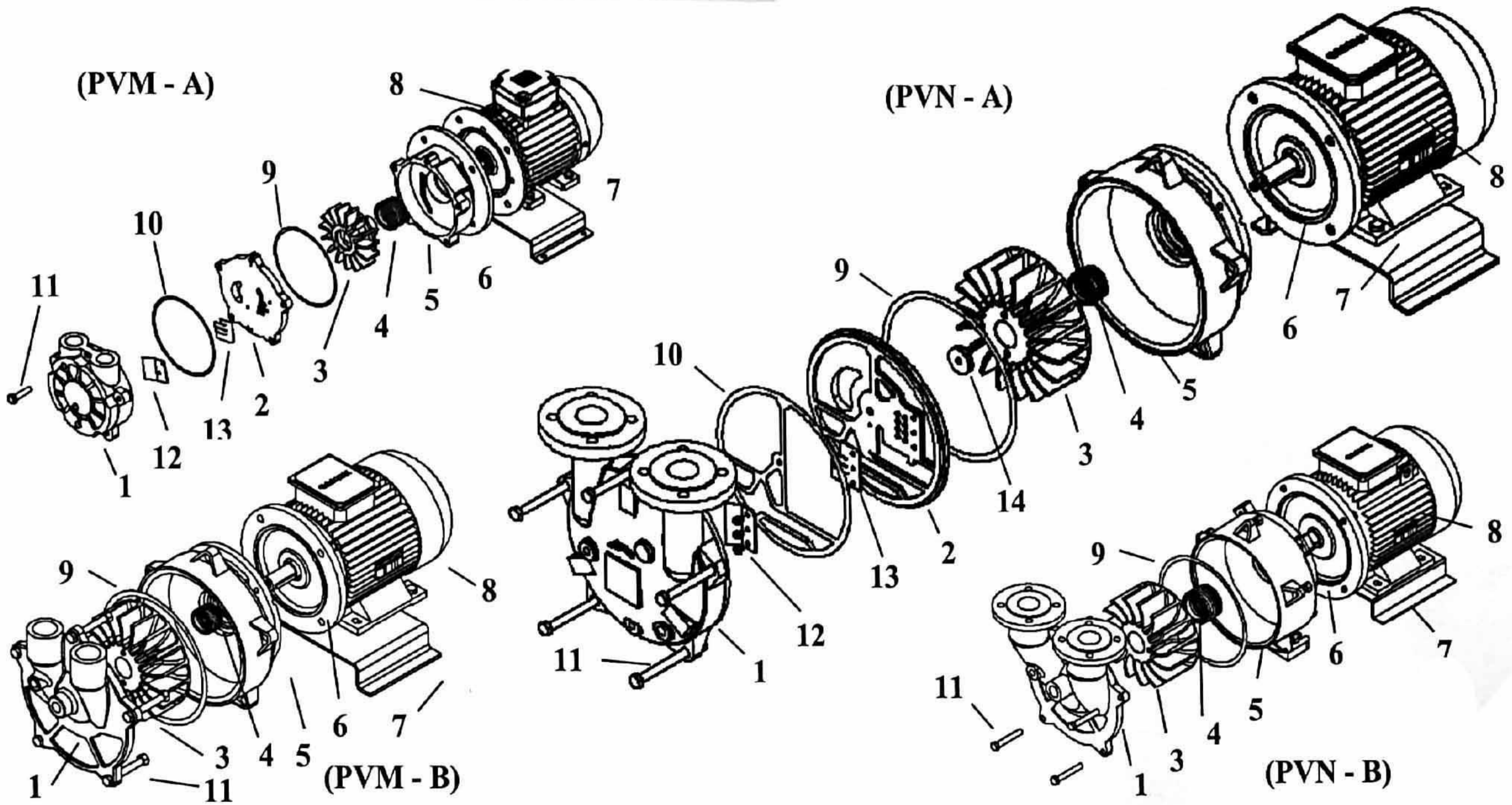
1. From bearing cover
2. Bearing
3. Bearing Carrier
4. Seal mounting
5. Sealing
6. Pump leg
7. Front plate
8. Impeller
9. Shafi
10. Body chamber
11. Assembling Stud bolt
12. Service liquid flange
13. Service liquid pipeline
14. Body gasket
15. Back plate
16. Back bearing cover
17. Leg gasket
18. Suction manifold
19. Discharge manifold
20. Impellers keys
21. Coupling key

## TWO STAGE PUMPS

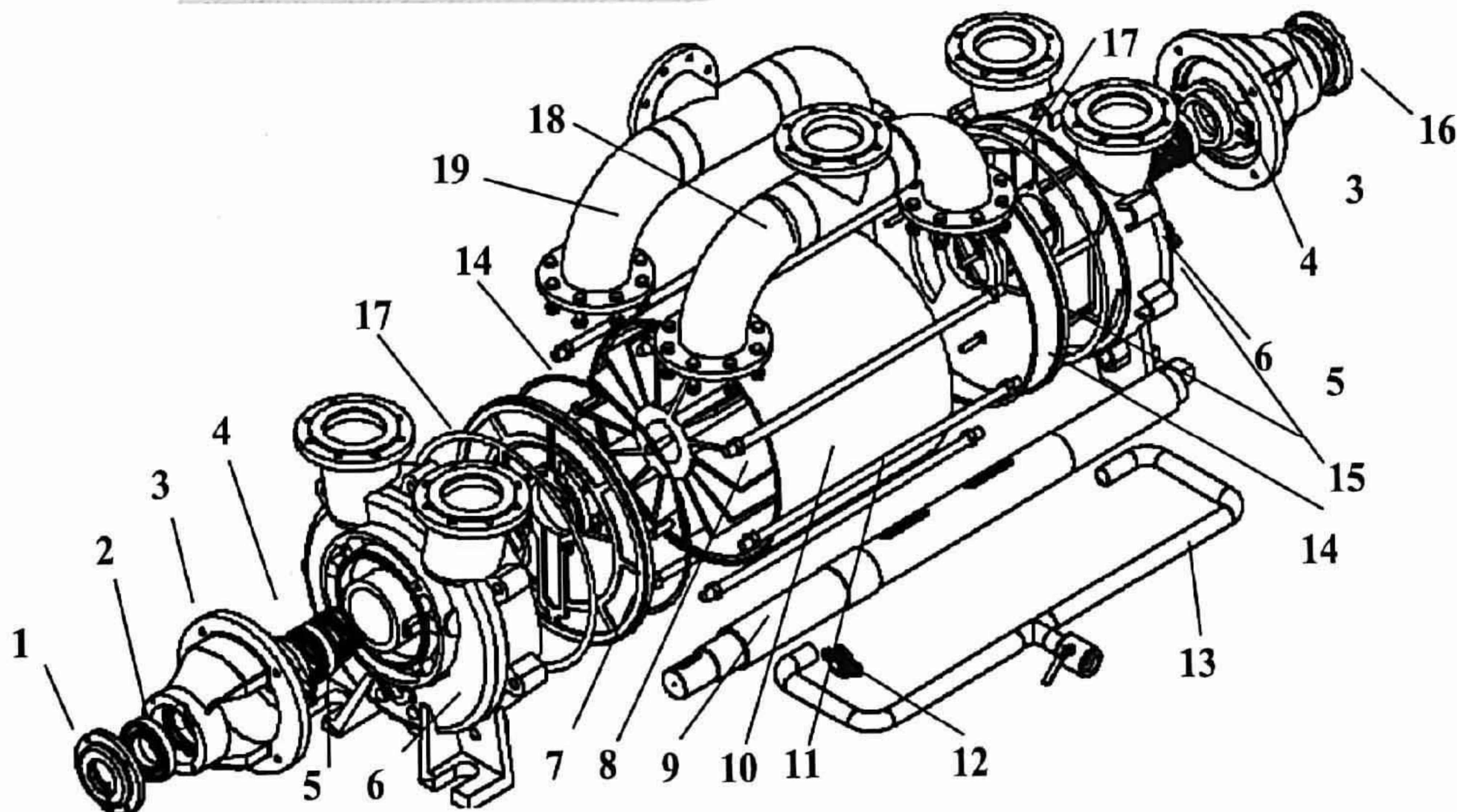


1. Front bearing cover
2. Bearing
3. Bearing carrier
4. Seal cover
5. Pump leg
6. Front plate
7. Wide impeller
8. Wide body chamber
9. Assembling Stud bolt
10. Middle plate(s)
11. Impeller fixing nut
12. Shaft
13. Body gasket
14. Bush
15. Sealing
16. Leg gasket
17. Back bearing cover
18. Manifold
19. Narrow body chamber
20. Narrow impeler

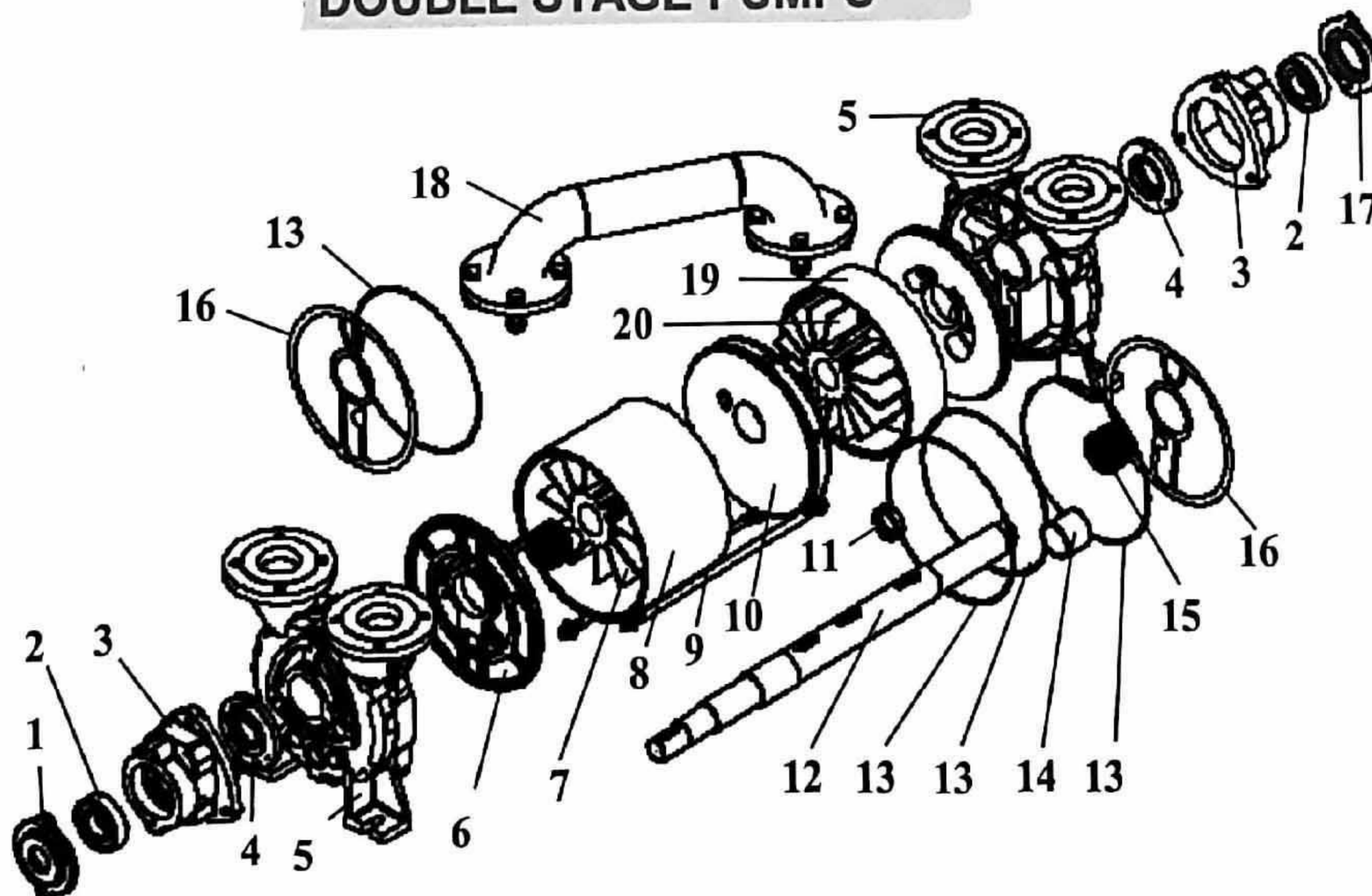
## MONOBLOCK PUMPS



## SINGLE STAGE PUMPS

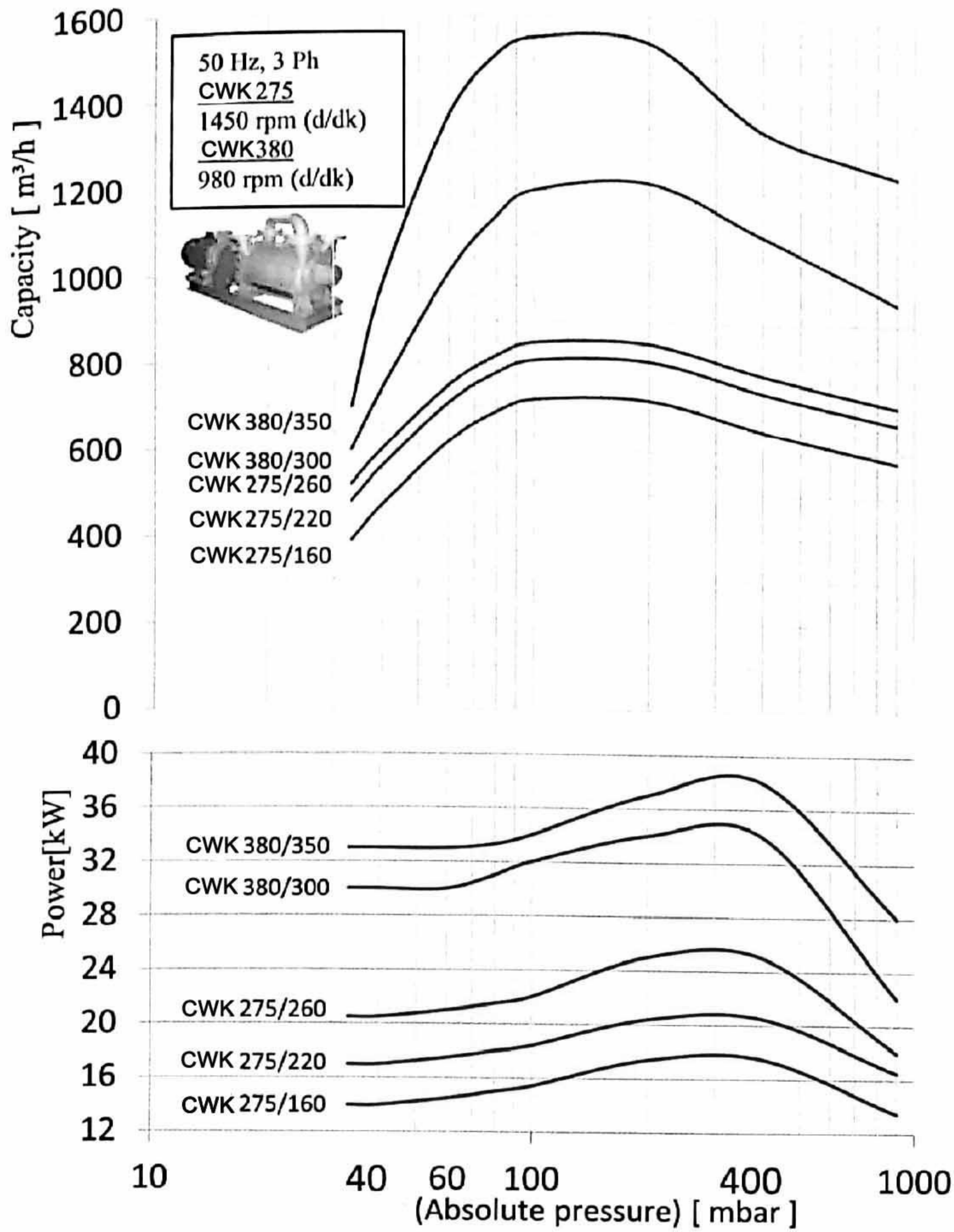


## DOUBLE STAGE PUMPS

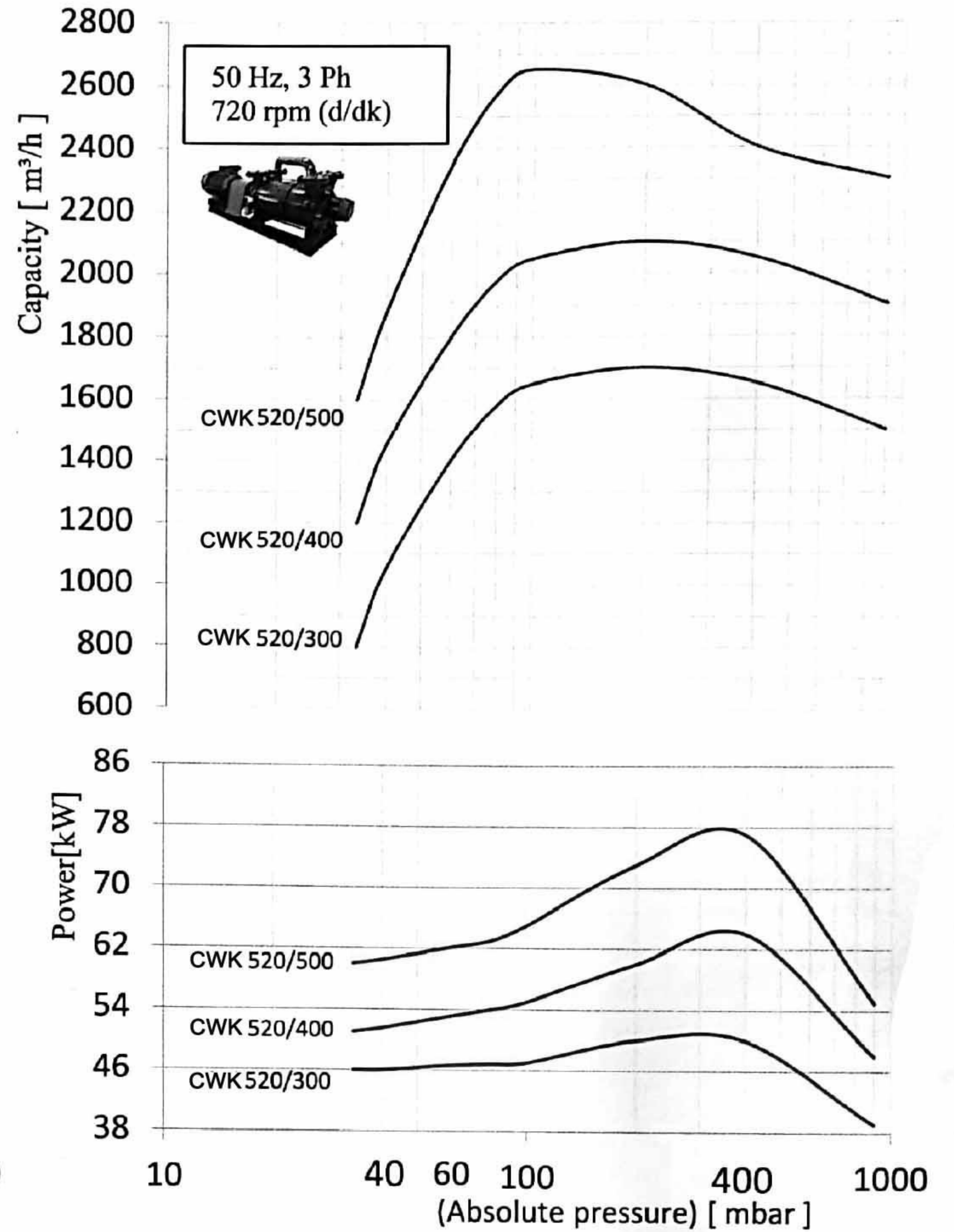


# Performance Curves

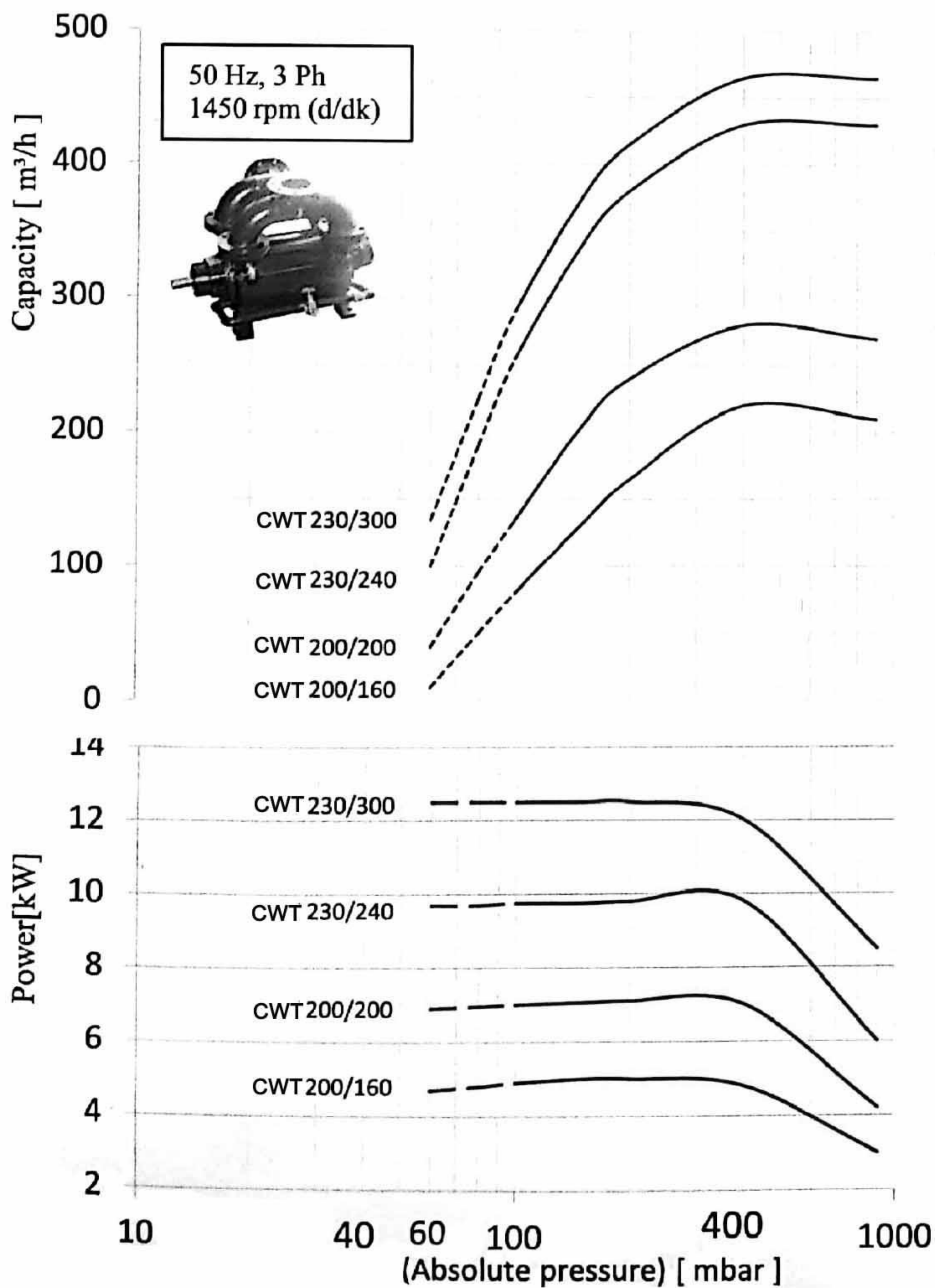
## PVK 275. 380 SERIES



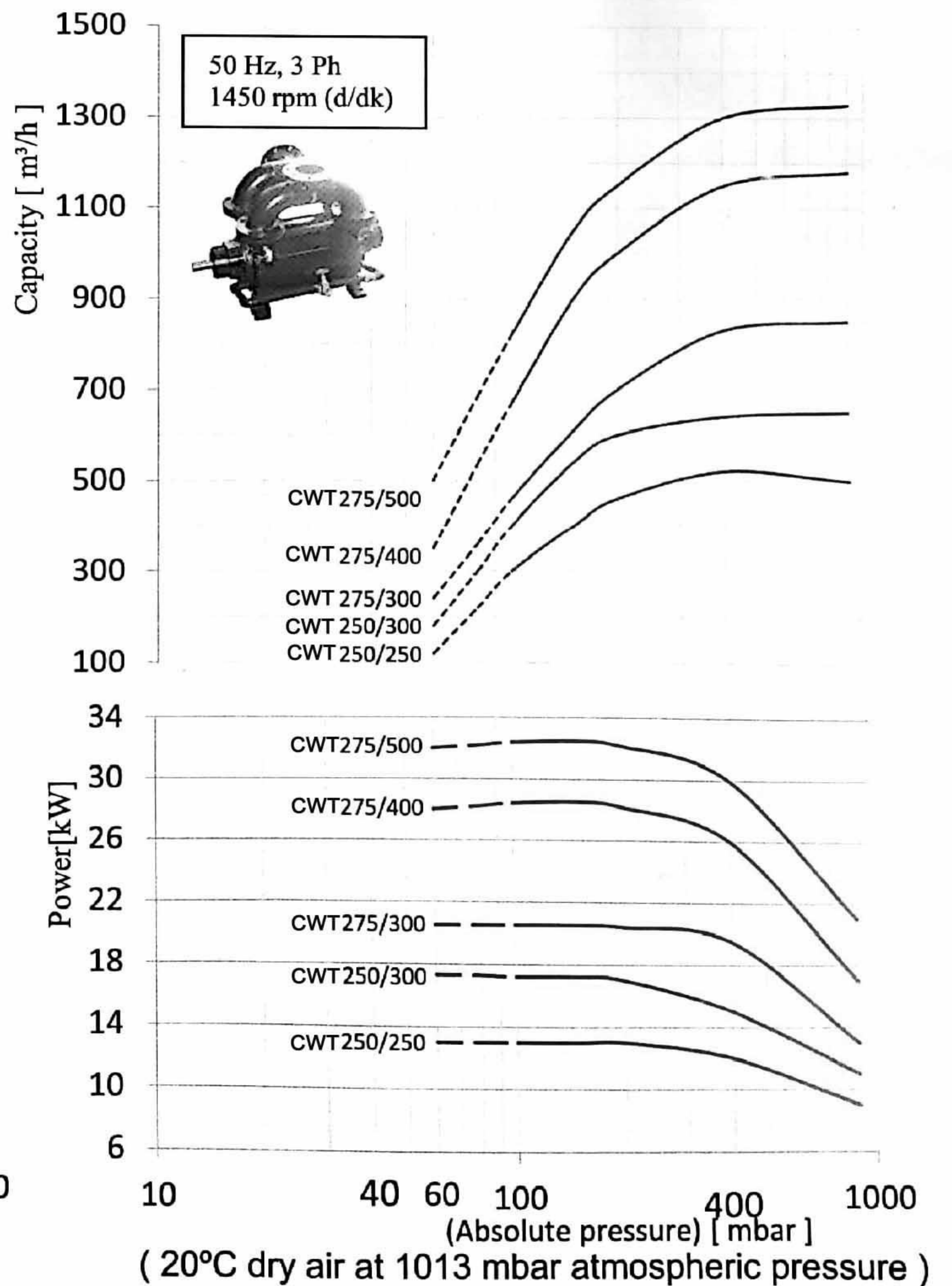
## CWK 520 SERIES



## CWT 200. 230 SERIES

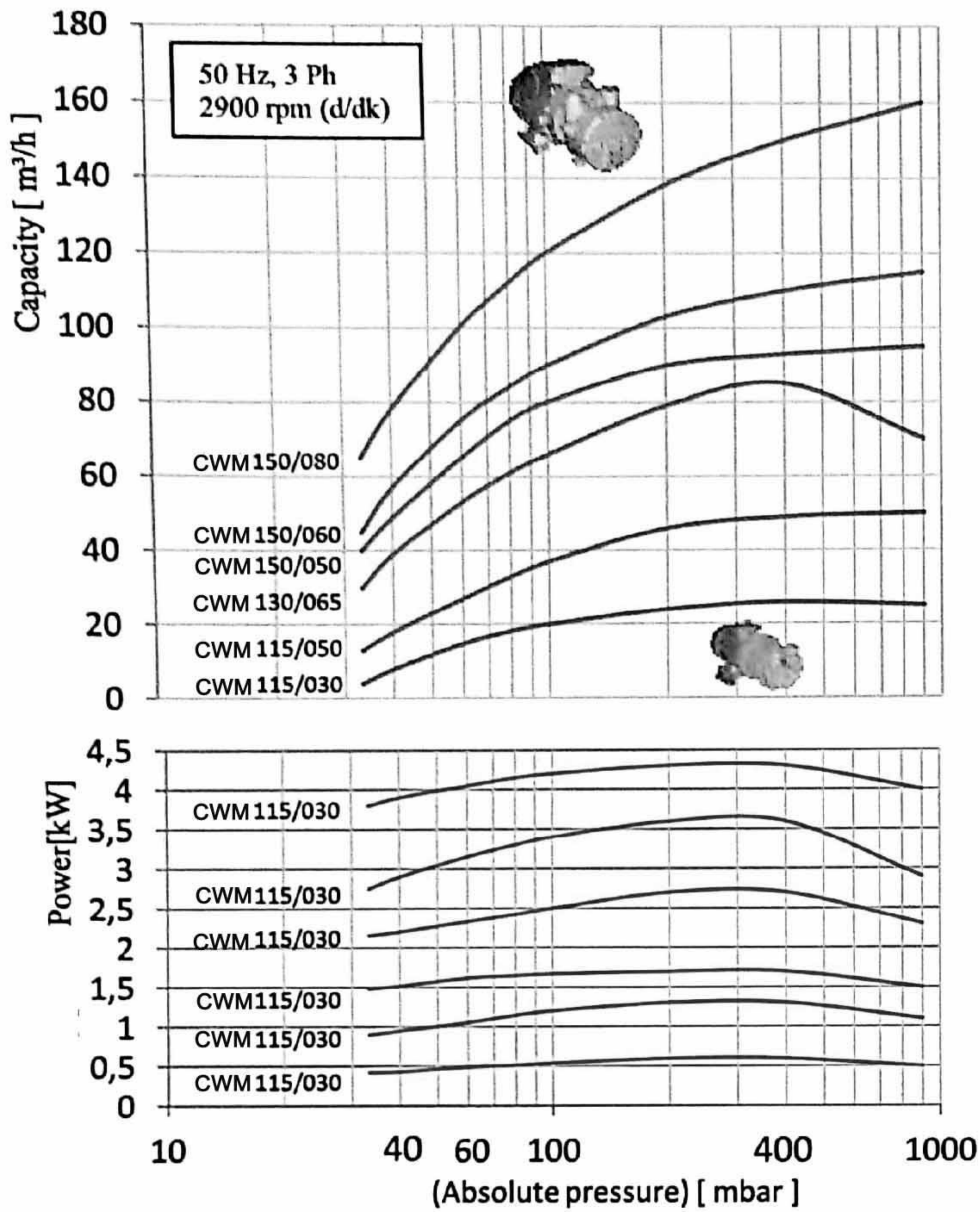


## CWT250, 275 SERIES

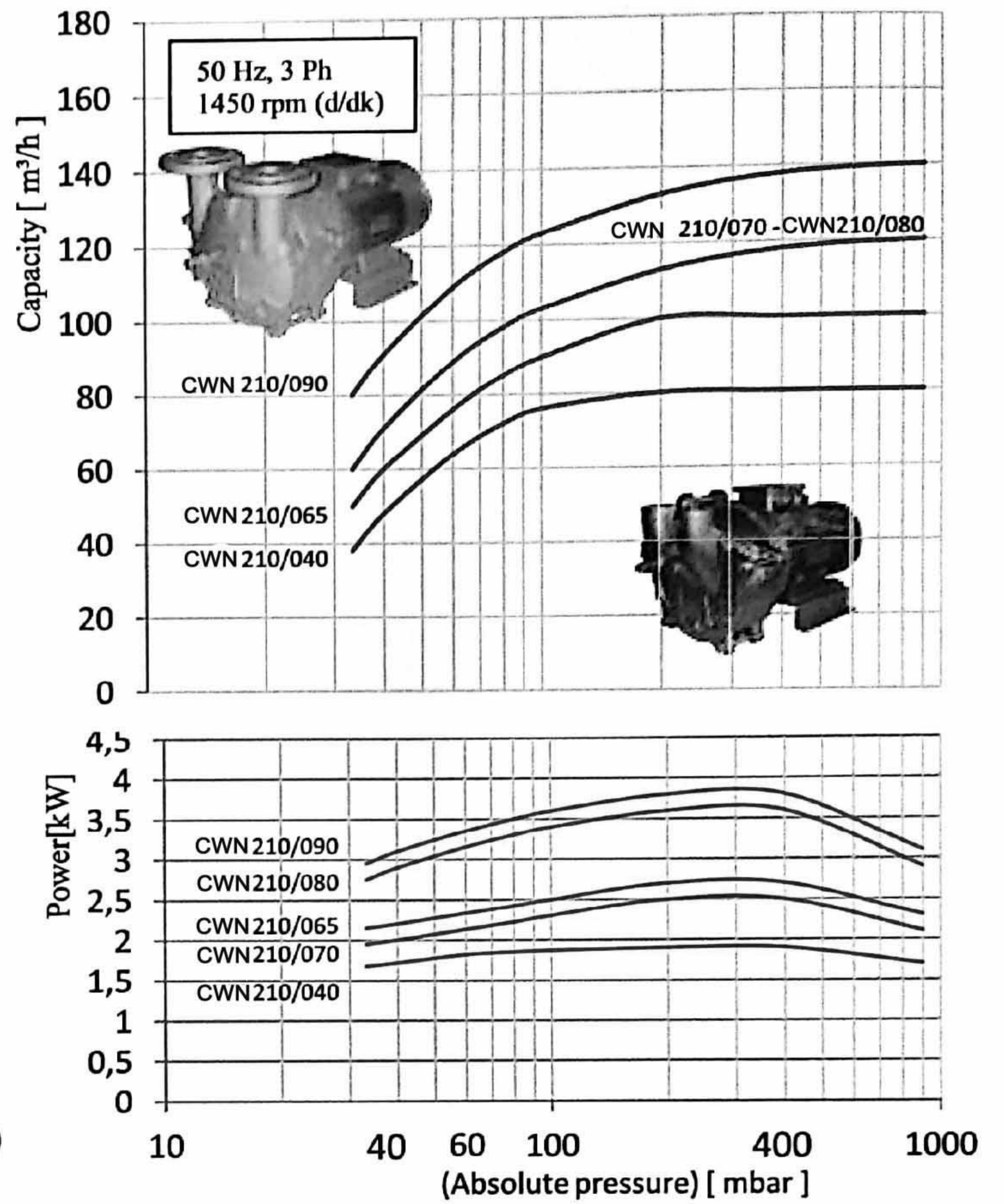


# Performance Curves

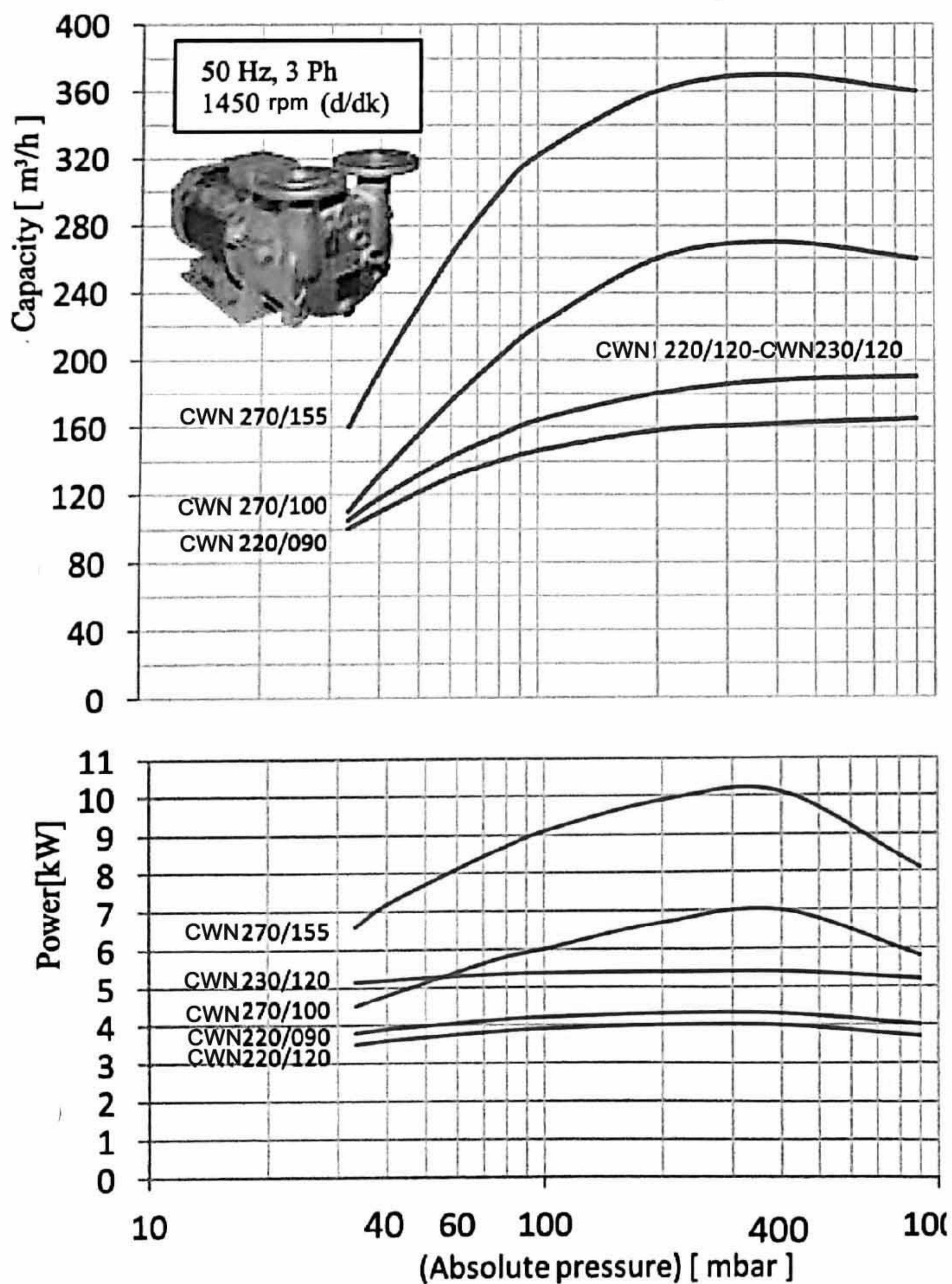
## CWMSERIES



## CWN 210 SERIES



## CWN 220, 270 SERIES



## CWK 200,230,250 SERIES

